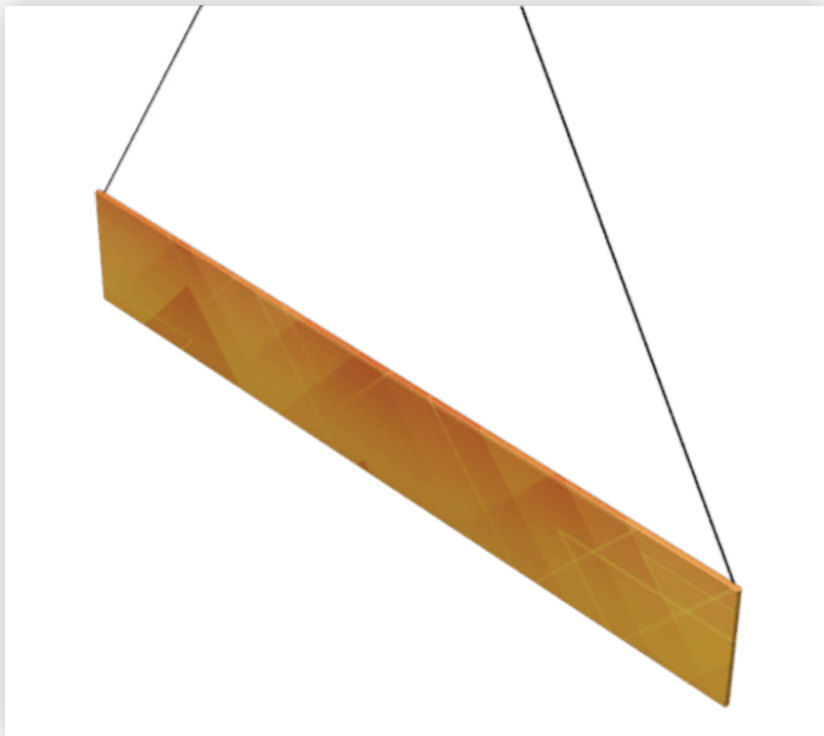
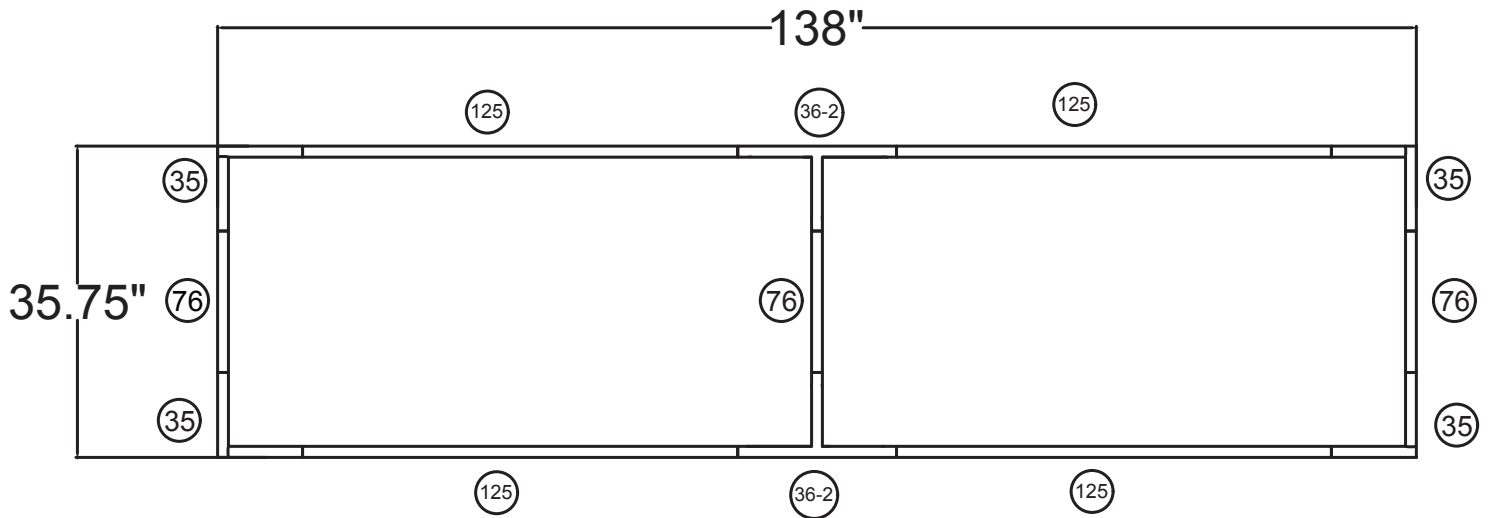


# WAVELINE®

12'w x 3'h WL Hanging Sign



## FHS1236

12'w x 3'h WL Hanging Sign	
Qty.	Part Number
4	WLM#035
3	WLM#076
4	WLM#125
2	WLM#036-2
1	BGO BAG-L

Notes:

- \* Does not include Hanging Cables
- \* will fit inside CA600 or CA900 case



## Hanging Sign Rigging Instructions



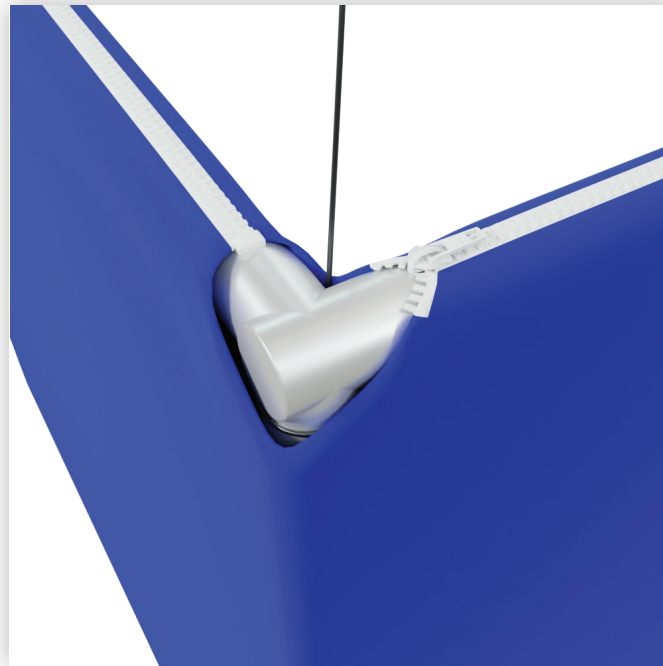
### Step 1

After assembling the sign, locate the hanging points. There are openings on the zipper to allow for cables to be inserted



### Step 2

Open the zippers to expose the hanging area, then wrap the cables around the vertical support pole



### Step 3

Pull the cable through the opening in the fabric. Close the zippers.

\*Hanging cables are not included in the kit, to be provided by on-site rigging team.